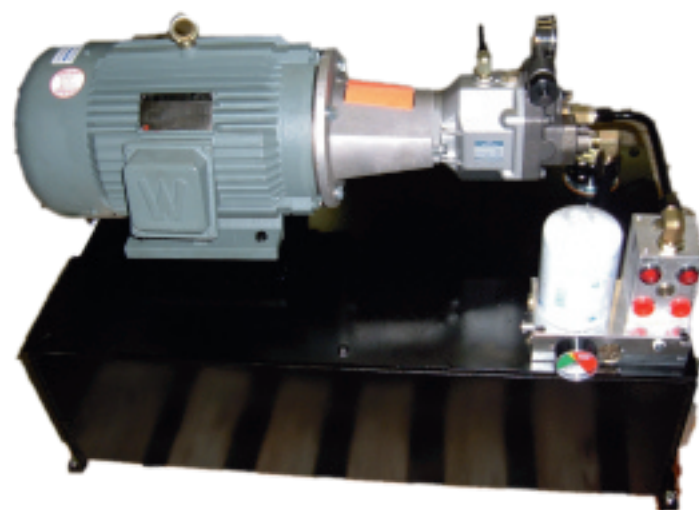
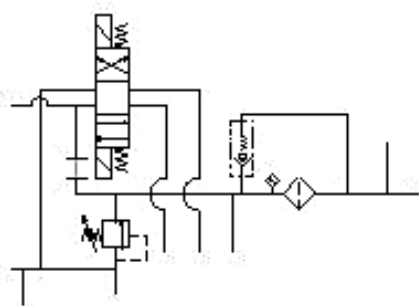


# DC Hydraulics Power Units For Industrial Applications

## Design Features:

- Fixed Displacement Gear Pumps .70-19.87 GPM with pressure balanced wear plates
- Variable Displacement, Pressure Compensated Piston Pumps with factory preset compensator or remote compensator. Maximum displacement 10.12 GPM.
- Pressures to 3000 PSI
- Motors from .5 - 20 HP
- Pump/Motor Adapters for NEMA 56C to 256TC Motors
- Reservoirs from 10 - 60 Gallons
- Pump/Motor shafts are joined by a flexible coupling to minimize noise, vibration, and alignment problems
- Removable cover for ease of servicing



DC Hydraulics  
Corporate Headquarters:  
42010 Koppnick Rd.  
Suite 118  
Canton, MI 48187  
(734) 416-8999  
Fax: (734) 416-8985

Minority Owned and Operated.



## Fluid Power Specialists For Complete Hydraulic Systems Design, Components, & Instrumentation

Specializing in design and build of A.C. and D.C. Hydraulic Power Units to 20 Gallons per Minute

- . Bucher Hydraulics
- . Bondioli & Pavesi
- . Bosch Rexroth Oilcontrol
- . Gems Sensors
- . RR USA, Inc.
- . Yuken Hydraulic Equipment
- . Vonberg Valve
- . Donaldson Filtration
- . Maradyne Corp.
- . Behringer Products
- . Geartek
- . PVS Sensors
- . Pressure Connections, Inc.
- . Bucher Hyd Cartridge Valves
- . Magnaloy, Inc.



- AC & DC Power Units
- Air Operated Pumps
- Check Valves
- Ergonomic Equipment
- Filler Breathers
- Flow Controls
- Flow Meters
- Flow Sensors
- Gear Pumps & Motors
- Pressure Switches
- Pressure Gauges
- Pressure Sensors
- Hand Pumps
- Hydraulic Cylinders
- Level Sensors
- LSHT Motors
- Manifolds
- Manual Valves
- Needle Valves
- Piston Pumps
- Piston Motors
- Pressure Transducers
- Sight Level Indicators
- Spin-On Filters
- Temperature Switches
- Test Points
- Solenoid Valves
- Vane Pumps

